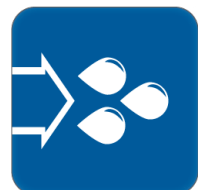


JMA
10/22
rev 1.0

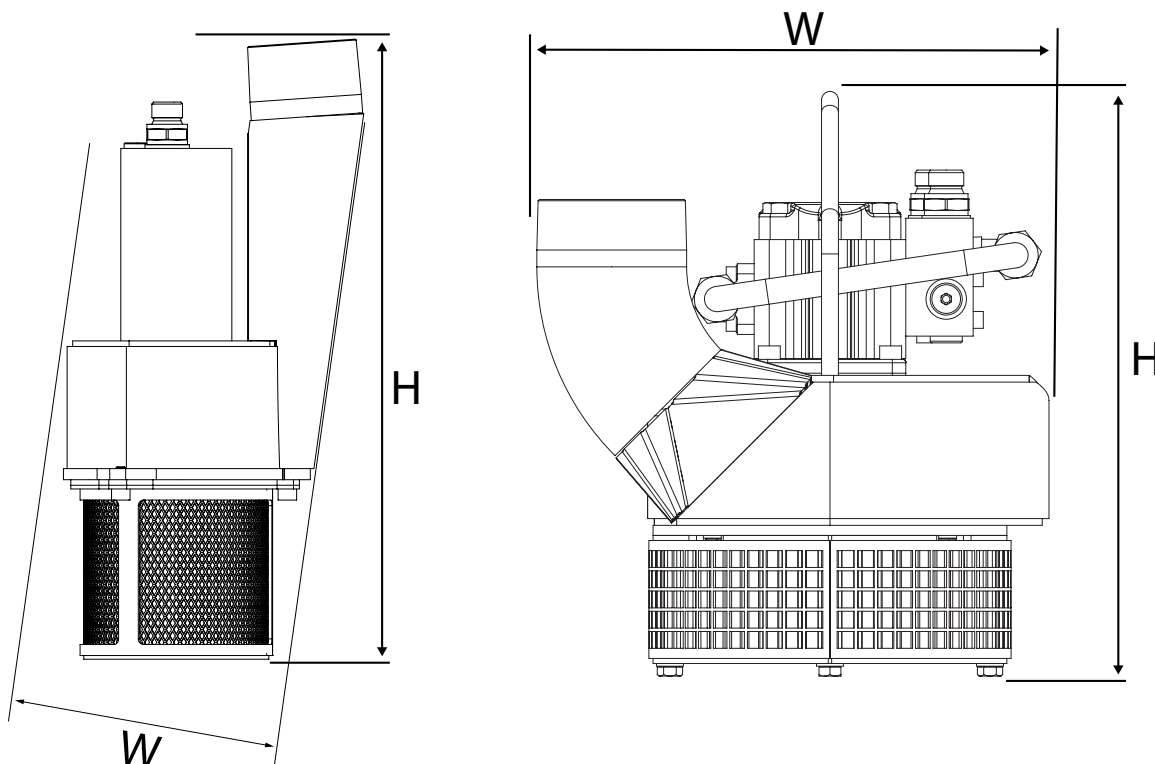
DATA SHEET

HYDRAULIC SUBMERSIBLE PUMPS



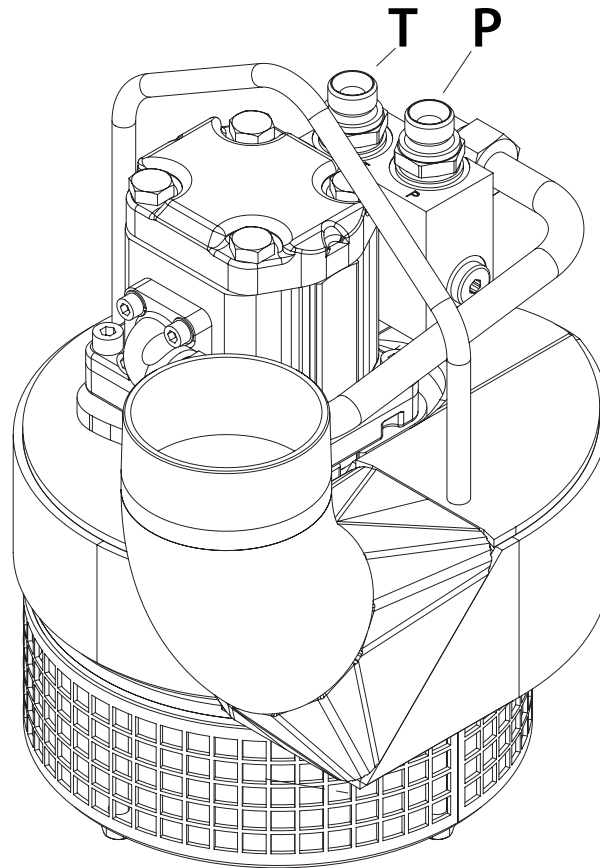
HSP 900/5-36 HSP 6500/5-85
HSP 3000/5-48 HSP 8500/5-135

DIMENSIONS



MODEL	DIMENSIONS, mm (in)		WEIGHT
	W	H	kg (lbs)
HSP 900/5-36	141 (5.6)	335 (13.2)	5,2 (11.5)
HSP 3000/5-48	304 (12)	347 (13.7)	13 (29)
HSP 6500/5-85	477 (18.8)	471 (18.6)	39 (86)
HSP 8500/5-135	573 (22.6)	525 (20.1)	51 (112.5)

HYDRAULIC PORTS



MODEL	PRESSURE LINE	RETURN LINE
	P	T
HSP 900/5-36	BSP 3/8"	BSP 3/8"
HSP 3000/5-48	BSP 1/2"	BSP 1/2"
HSP 6500/5-85	BSP 3/4"	BSP 1"
HSP 8500/5-135	BSP 1"	BSP 1"

TECHNICAL SPECIFICATIONS

		HSP 900/5-36	HSP 3000/5-48	HSP 6500/5-85	HSP 8500/5-135
OUTPUT CHARACTERISTICS					
Discharge max.	l/min (gpm)	900 (238)	3000 (792)	6500 (1717)	8500 (2245)
Pump head max.	m (ft)	21 (69)	50 (164)	50 (164)	40 (131)
Discharge at standard head of 5m	l/min (gpm)	900 (238)	3000 (792)	6500 (1717)	8500 (2245)
Output connection**	in	R 2"	R 3"	5"	6"
Max. water temperature	°C (°F)	50 (122)	50 (122)	50 (122)	50 (122)
HYDRAULIC POWER REQUIREMENTS					
Oil flow @ max discharge	l/min (gpm)	36 (9.5)	48 (12.7)	85 (22.5)	135 (35.7)
Oil flow @ max head	l/min (gpm)	36 (9.5)	70 (18.5)	135 (35.7)	215 (56.8)
Pressure max.	bar (psi)	170 (2465)	250 (3626)	250 (3626)	230 (3335)
Tank pressure max.	bar (psi)	30 (435)	30 (435)	30 (435)	30 (435)
Hydraulic motor		gerotor	gear	gear	gear
HYDRAULIC FLUID REQUIREMENTS					
Viscosity	cSt	10-200 / optimum 25-35			
Temperature *	°C (°F)	max. 70 (158)			
Filter ratio	µm	25 or better			
Cleanliness level	ISO 4406	19/17/14			

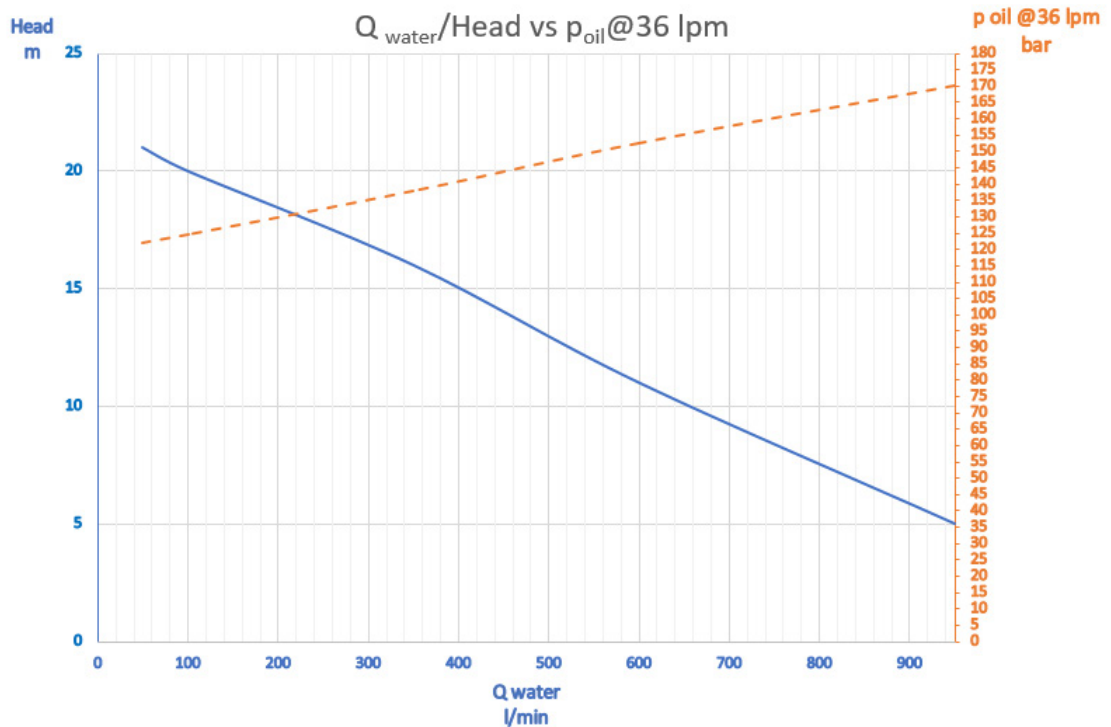
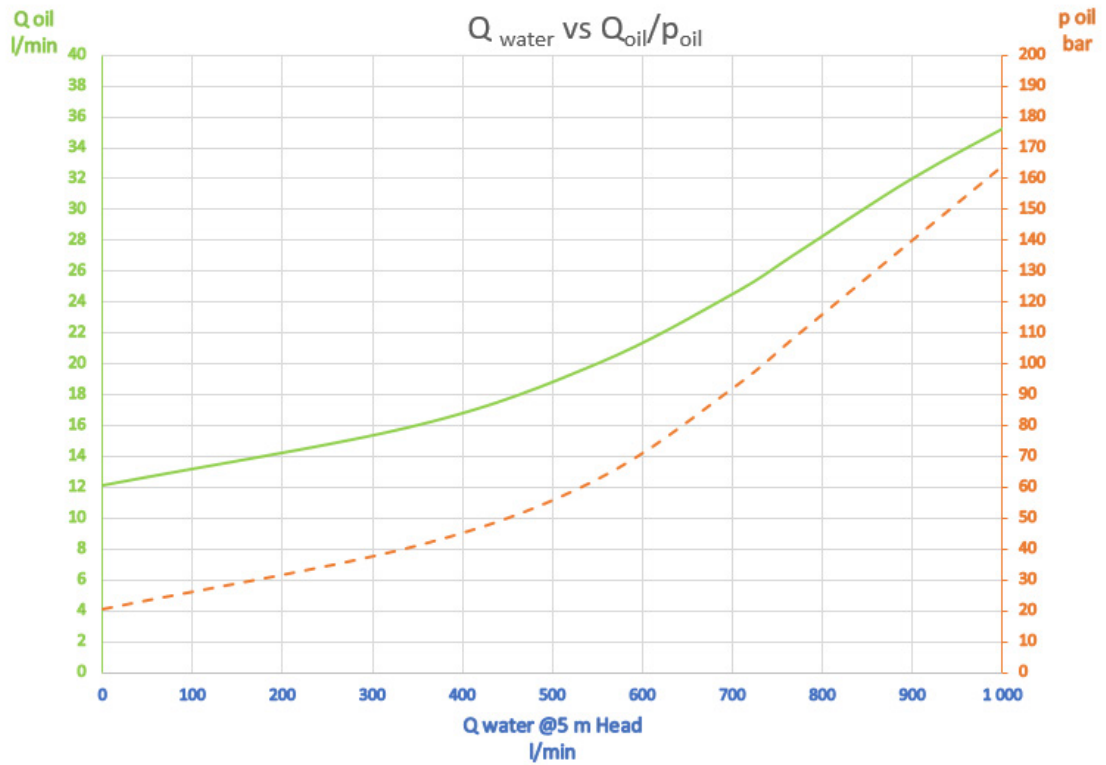
Gallons are U.S. liquid gallons

* Depending on hydraulic fluid.

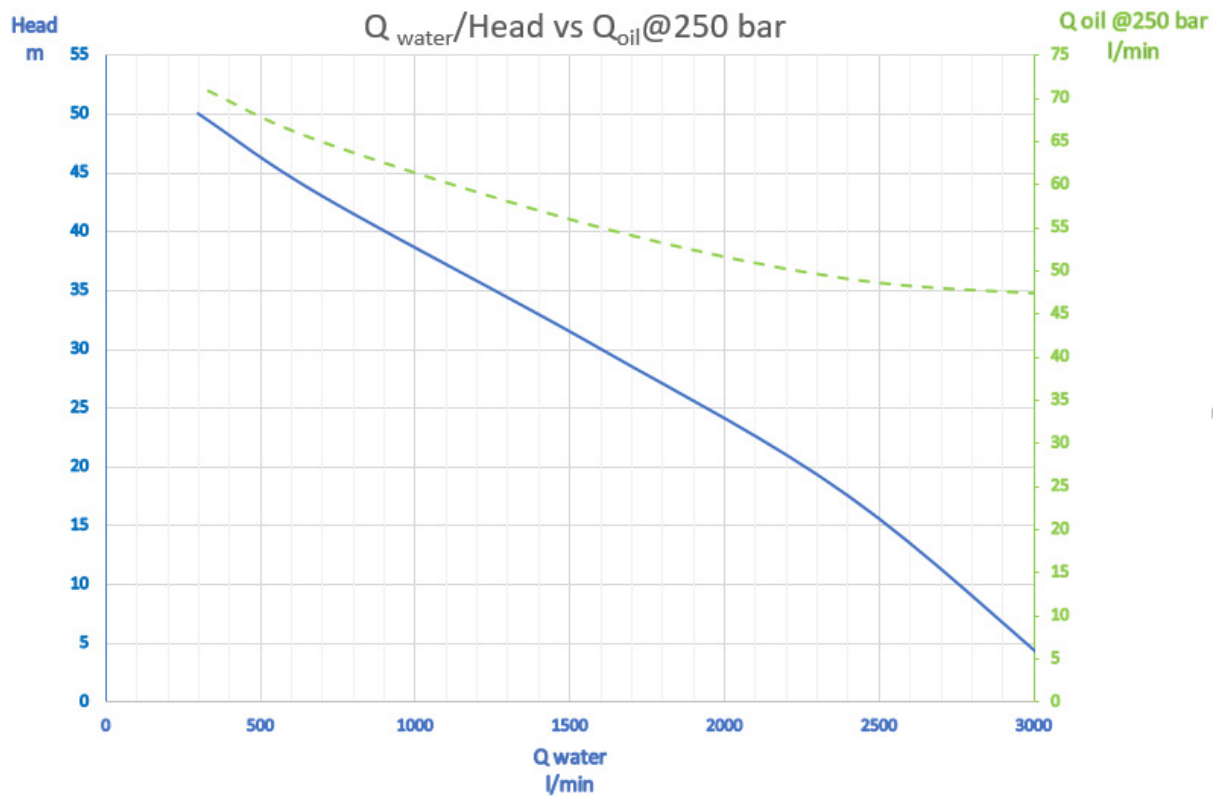
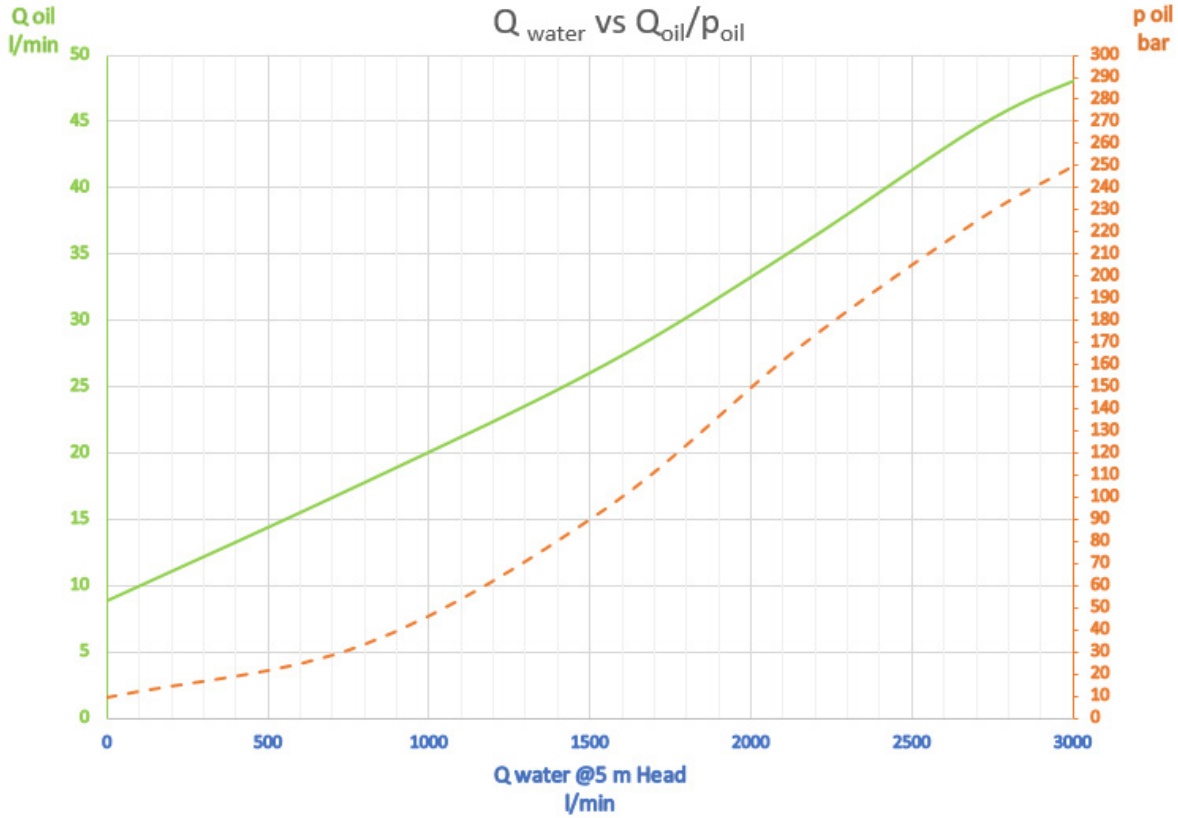
**HSP 900 & 3000 are threaded, 6500 & 8500 are flanged

DISCHARGE CURVES

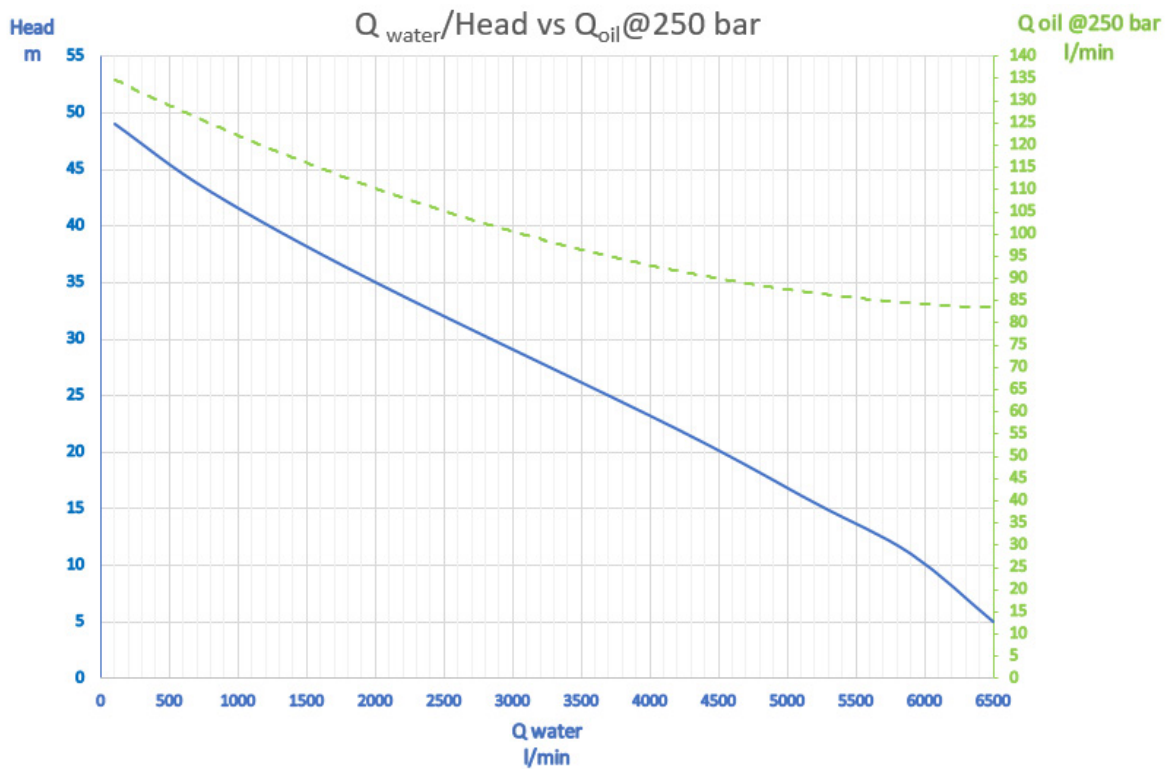
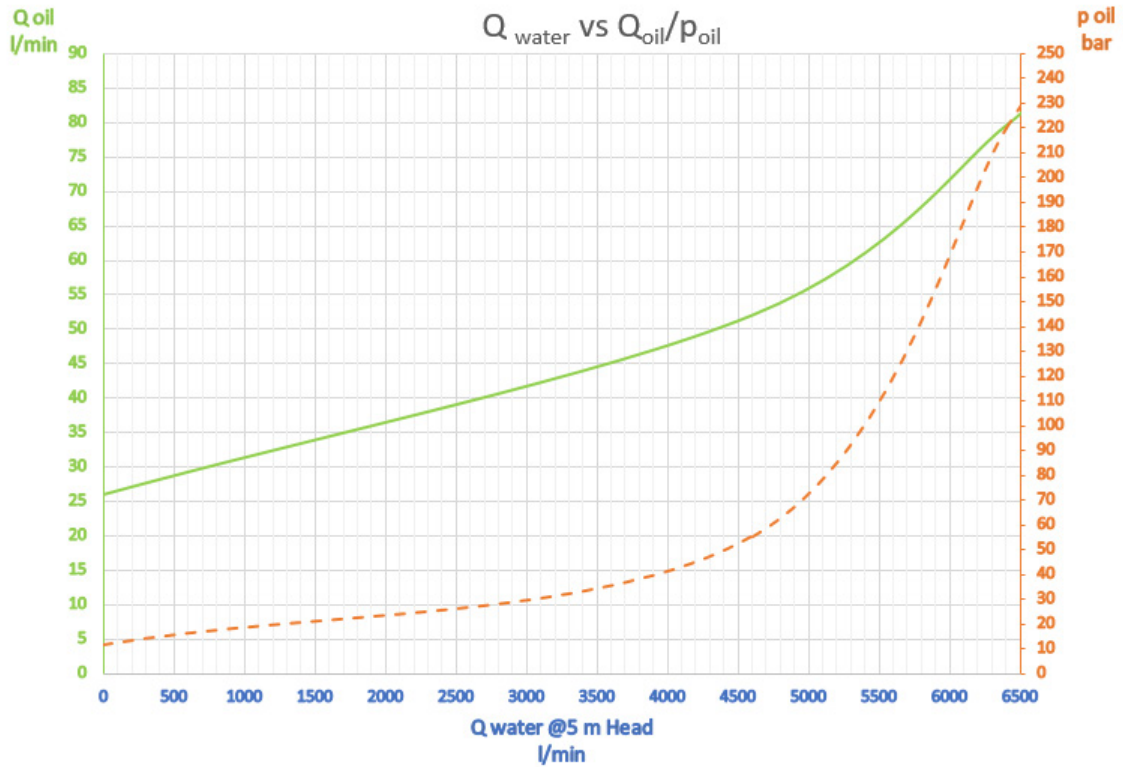
HSP 900



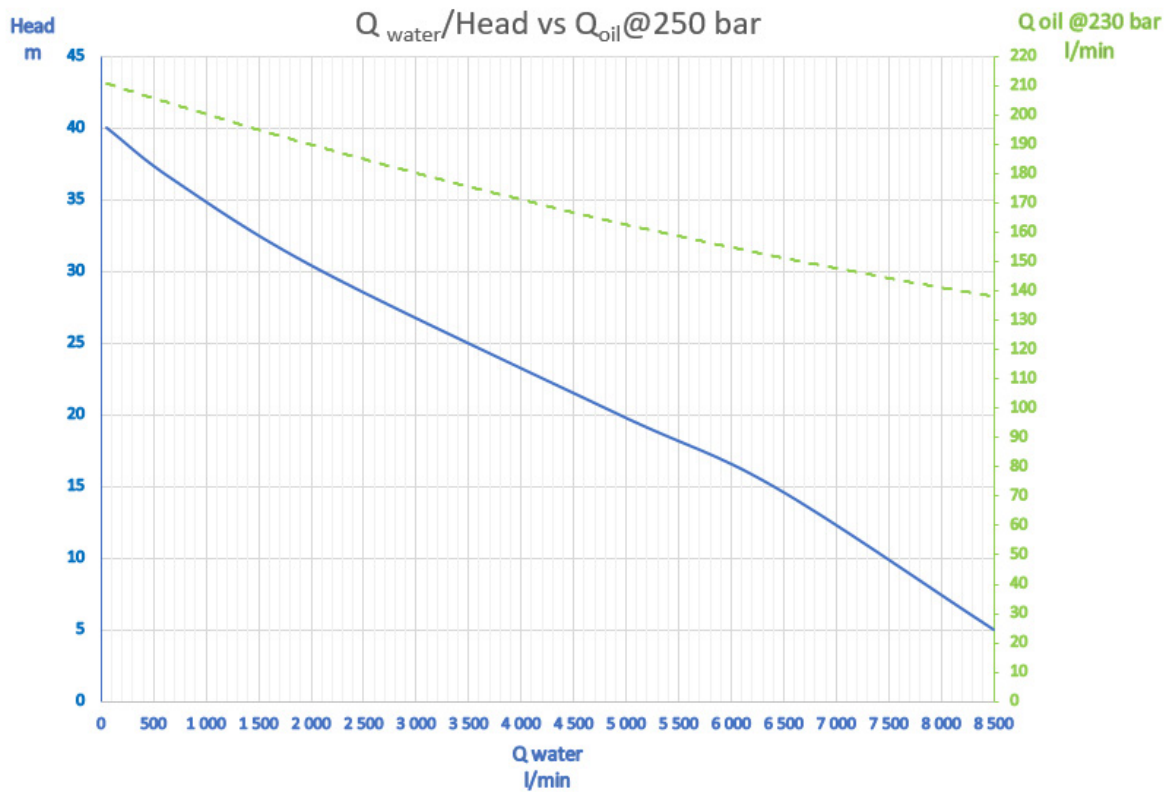
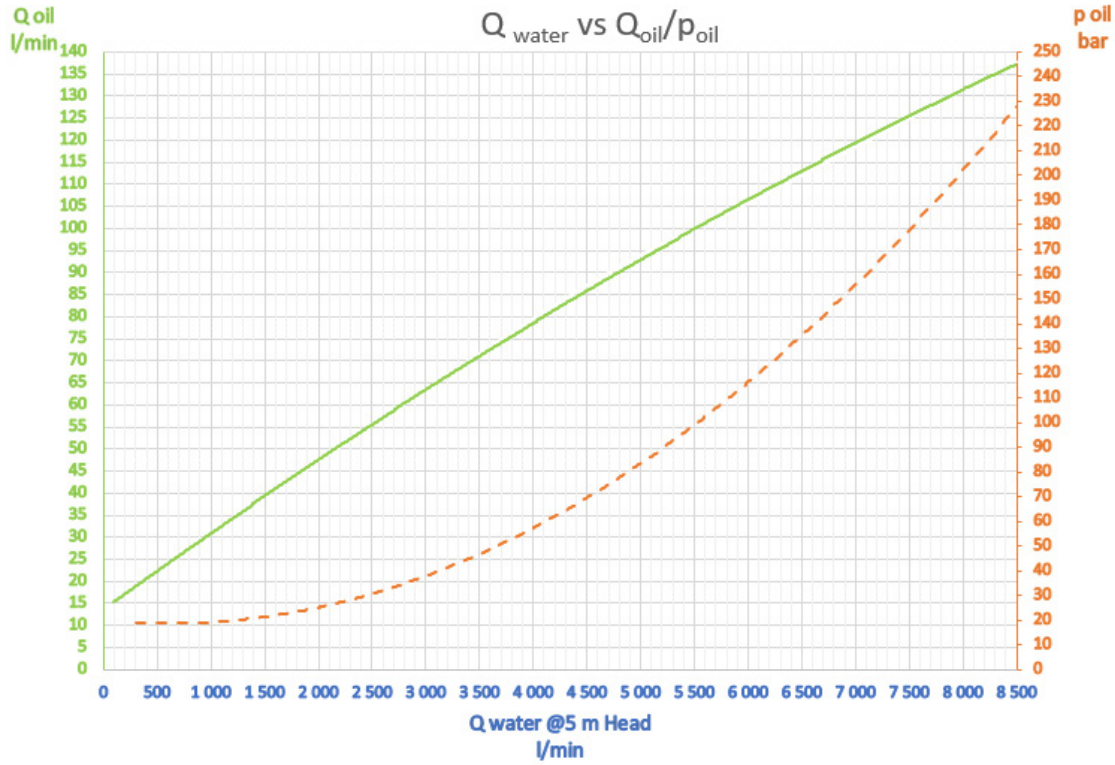
HSP 3000



HSP 6500



HSP 8500





HYDRAULIC SUBMERSIBLE PUMPS

DATA SHEET



Menotie 3
FI-33470 Ylöjärvi, Finland
tel: +358 3 3488 200
info@dynaset.com



ELECTRICITY

HG Hydraulic Generator
HGV POWER BOX Variable Hydraulic Generator System
HGV Variable Hydraulic Generator System
HWG Hydraulic Welding Generator
HGG Hydraulic Ground Power Generator



HIGH PRESSURE WATER

HPW Hydraulic High Pressure Water Pump
HPW Hydraulic Power Washer
KPL High Pressure Street Washing Unit
HPW-DUST High Pressure Dust Suppression System
PPL High Pressure Pipe Cleaning Unit
HPW-FIRE High Pressure Firefighting System
FP Fire Fighting Piercing Kit
HDF Hydraulic Drilling Fluid Pump
JPL High Pressure Bin Washing System
HSP Hydraulic Submersible Pump



COMPRESSED AIR

HK Hydraulic Piston Compressor
HKL Hydraulic Rotary Vane Compressor
HKR Hydraulic Screw Compressor



VACUUM

HCF Hydraulic Centrifugal Fan
HRVB Hydraulic Recycling Vacuum Bucket



MAGNET POWER

HMG PRO Hydraulic Magnet Generator
MAG Lift Magnet
HMAG PRO Hydraulic Magnet



VIBRATION

HVB Hydraulic Vibration Pump
HVD Hydraulic Directional Vibra
HRC Hydraulic Reversal Cylinder



POWER BOOSTING

HPI Hydraulic Pressure Intensifier
HPI-C Hydraulic Pressure Intensifier for Cylinder



KNOW-HOW

Hydraulic Power Take-off (PTO)
Hydraulic Power Unit Technology
HEU Hydraulic Expansion Unit
HRU Hydraulic Rescue Unis
De-Icing Technology
Installation Valves
HHK Hydraulic Grinder
HV/HVY Hydraulic Winch / Winch Unit

www.dynaset.com

